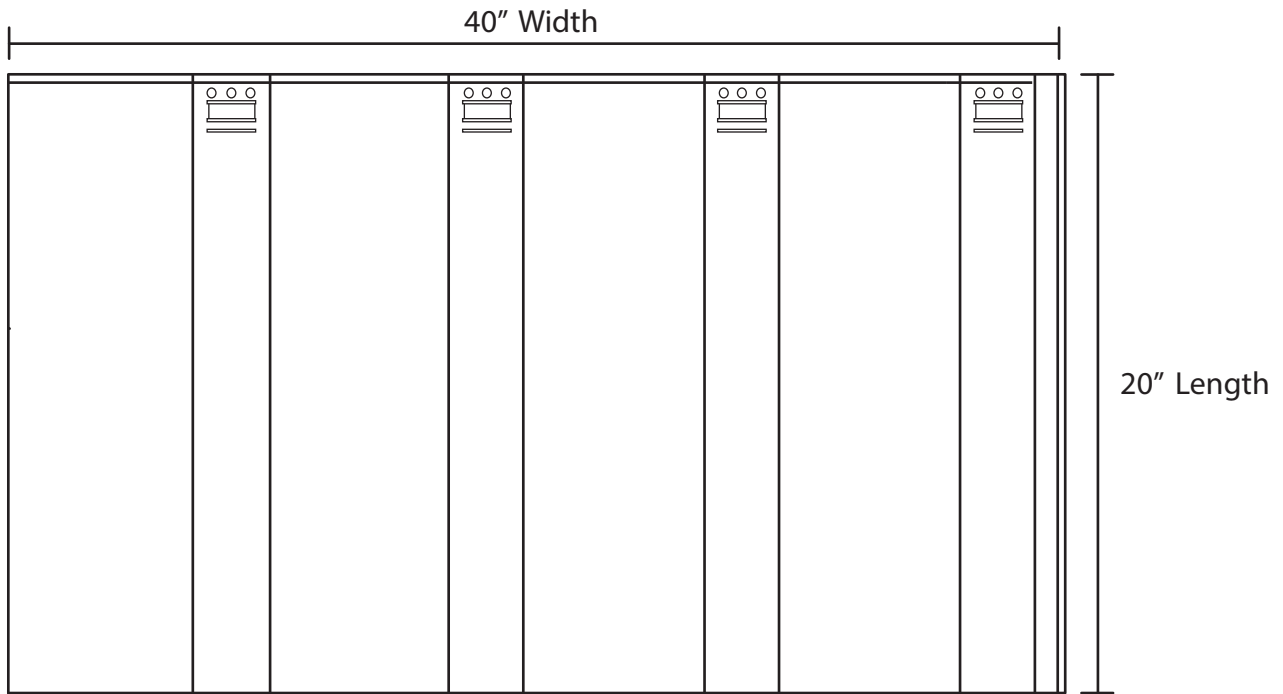
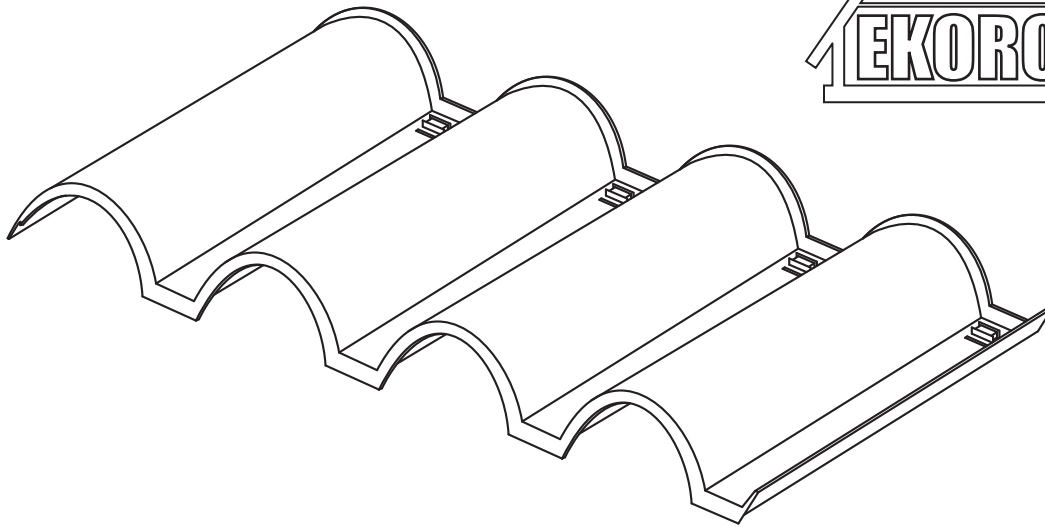


Ekorooft Dimensions



Weight per Panel: 3 kg / 6.61 lbs

Area per Panel 800 in² / 5.55 ft²

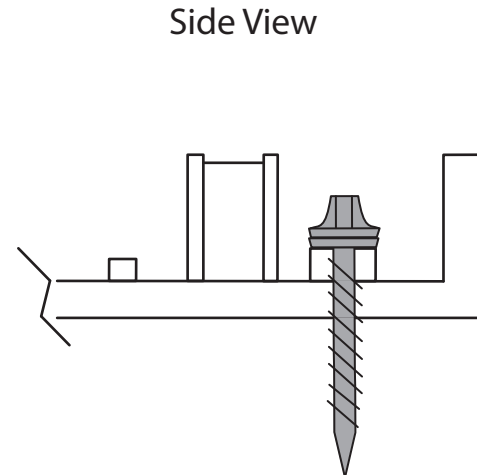
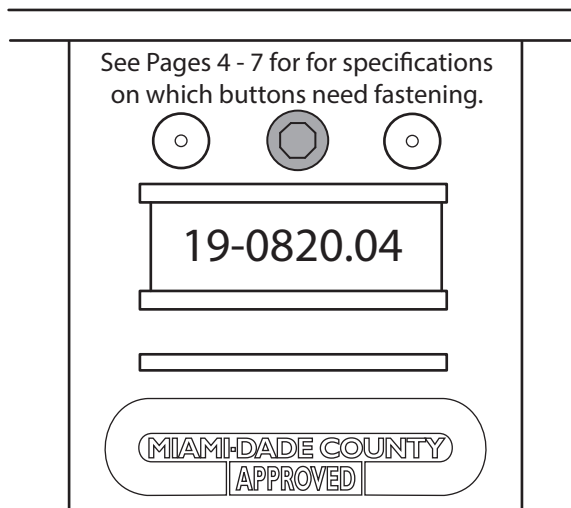
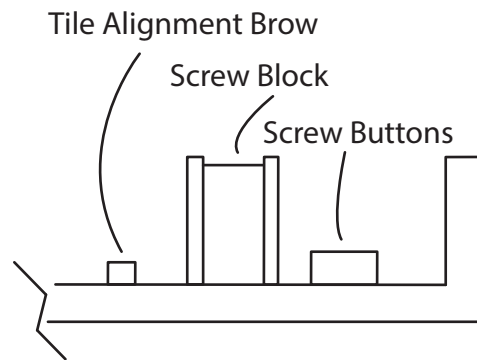
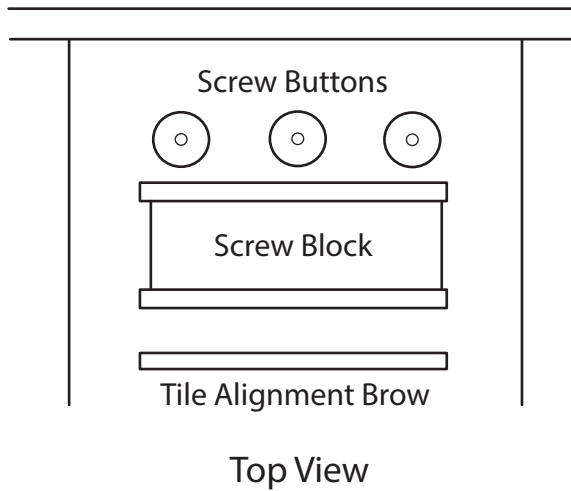
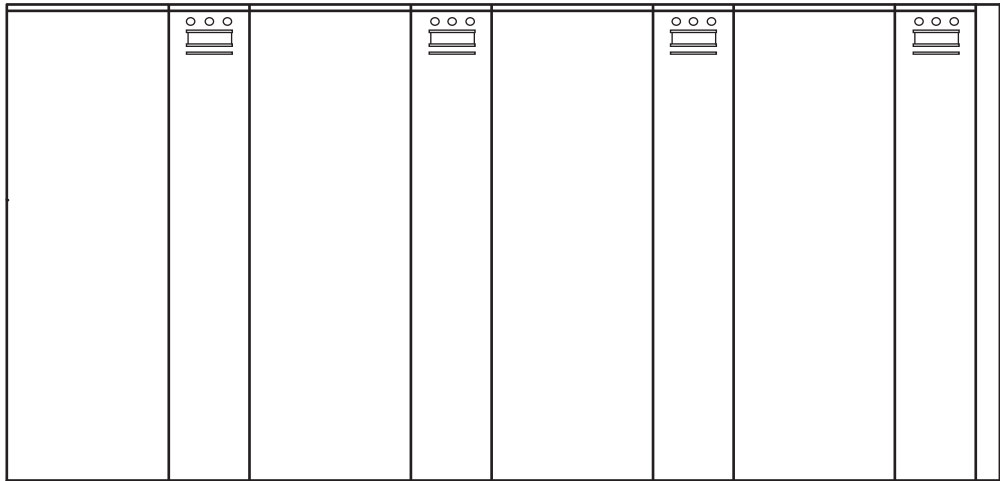
Panels per Square: 20 (including overlap, for a 100 ft² covered area)

Weight per Square 59.96 kg / 132.2 lbs

drawings not to scale

Ekorooftile Features - Top View Detail

Top View of Tile



drawings not to scale